



LED Street Light A Spec

LEVANTE LED Street light series is a flexible yet powerful, easy to maintain LED street light lantern. It is a high performance, extremely high efficacy platform that offers different dimming control options. The luminaire is specially designed for ME1-5 type road applications, which ensures excellent visibility for drivers and good comfort for pedestrians.

Applications

- Roadway lighting
(Urban roads, residential areas, overpasses...)
- Public areas lighting
(Theme parks, squares, parking lots...)



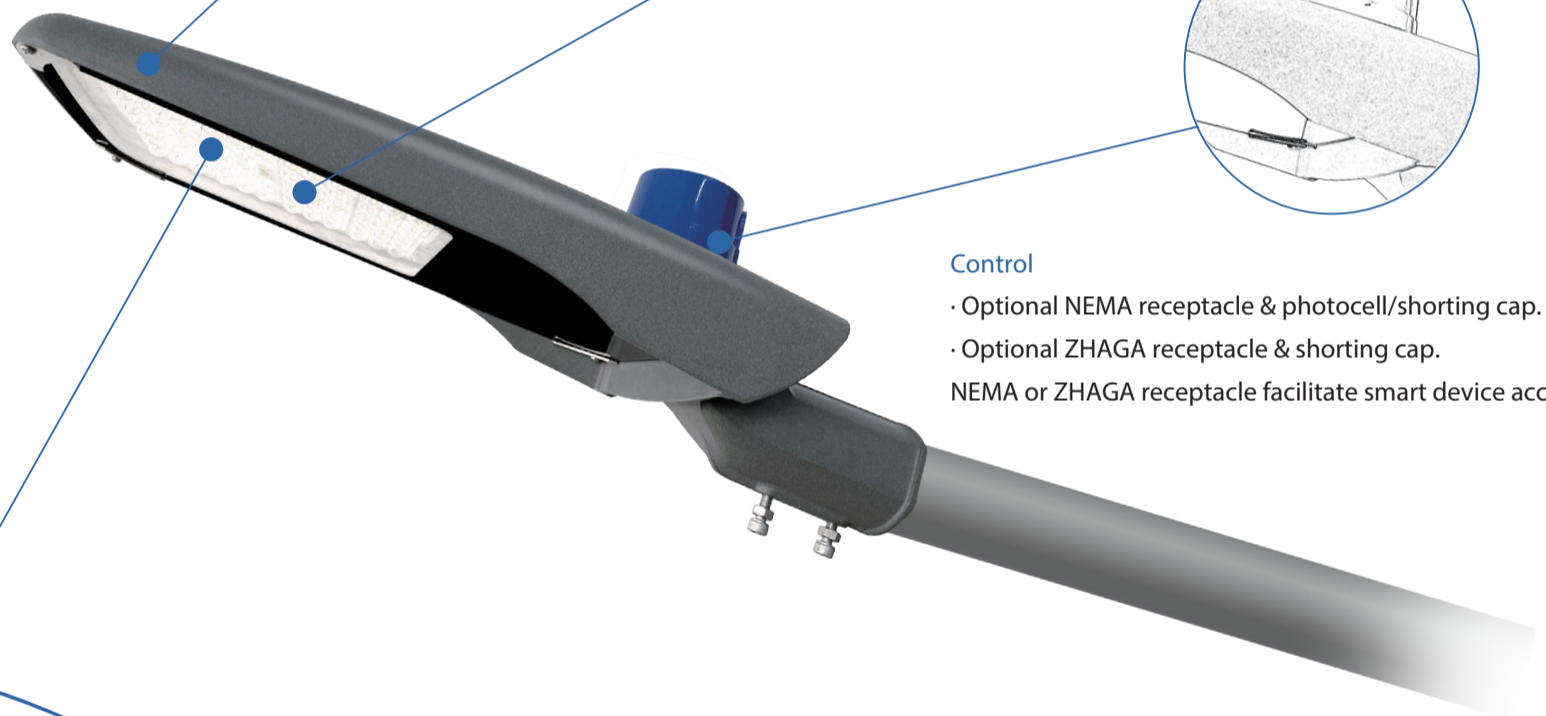
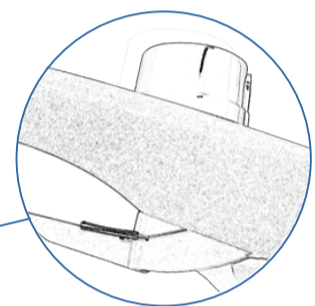
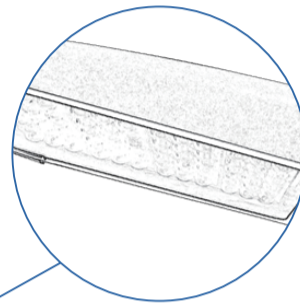
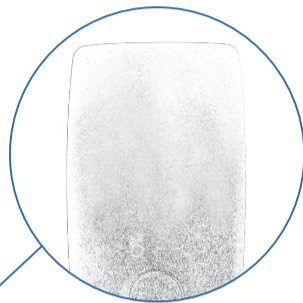
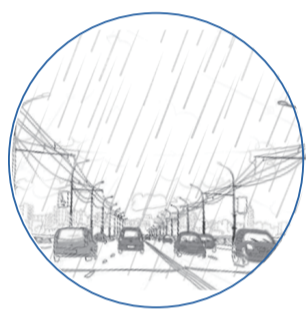
Specifications

Input Voltage:	100 ~240 /277Vac	Color Rendering Index (CRI):	70
Input Frequency:	50 / 60Hz	Housing:	Die-cast Aluminum
Power Factor (PF):	0.95	IP Rating:	IP66
Surge Protection Level:	10kV line-earth	Impact Protection Level:	IK08
Operating Environment:	-40 ~ +50 , 10% ~ 90% RH	Adjustable tilt angle side:	-15°/ -10°/-5°/ 0°/ 5°/ 10°/ 15°
Color Temperature (CCT):	3000K, 4000K, 5000K, 5700K	Finish:	RAL9006

■ Warranty: 5 Years Limited

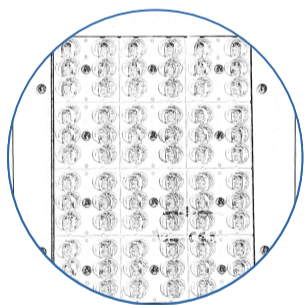
Construction

- Die-cast aluminum housing and tempered glass
- IP66 rated and IK08.



Control

- Optional NEMA receptacle & photocell/shorting cap.
 - Optional ZHAGA receptacle & shorting cap.
- NEMA or ZHAGA receptacle facilitate smart device access.



Finish

RAL9006(std.); other RAL or AKZO colours available on request.



Optical

- Ergonomic and dedicated lighting distributions are available for various roadway applications.



Lifetimes

- TM-21 L80 > 100,000 hours based on LED LM-80 @Ta=25°C.
- 50,000 hours lifetime @Ta=25°C.

Technical Data

Optical Specifications

	50W	60W	75W	100W	120W	150W	180W	200W	240W
Luminous Flux	6750	8100	10,125	13,500	16,200	20,250	24,300	27,000	32,400
	7000	8400	10,500	14,000	16,800	21,000	25,200	28,000	33,600
Efficacy	135lm/ W@3000K 140lm/ W@4000K/ 5000K/ 5700K								
CCT	3000K,4000K,5000K,5700K								
CRI(Ra)	>70								
SDCM	<7								
Beam Angle	T2S/T3M								

Electrical and Mechanical Specifications

Input Voltage	100-240V/ 277V AC 50/60Hz		
Power Consumption	50W-60W-75W	100W-120W-150W	180W-200W-240W
Power Factor	>0.9		
Total Harmonic Distortion	15%		
ESD Protection	Contact 4KV, Air 8KV		
Surge Protection	*10KV,*20KV		
Cover Lens	PC lens		
Housing	Die-casting aluminium,RAL9006(RAL or AKZO colours available on request.)		

System Specifications

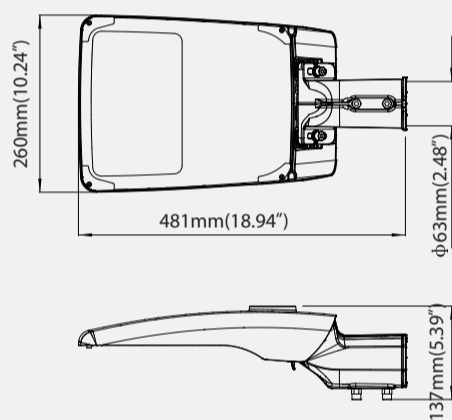
Power	AC line
Dimmable	ON/OFF,*time dimming,*1-10V dimming and *PWM dimming (Time dimming,1-10V dimming and PWM dimming can be customized)
Mounting Type	Side-entry mounting
Installation Height	8-15m
Mounting Diameter	55mm-60mm
Operating Temperature	-30 °C to +40 °C
Relative Humidity	0 to 93%
Storage Temperature	-30 °C to +85 °C
Environment	Outdoor (Ip66)
Lumen Maintenance	L70@25 °C - 50,000hrs
Safety Approval	Electrical Protection Class I,RoHS

Items with * are non-standard items and are available on request.

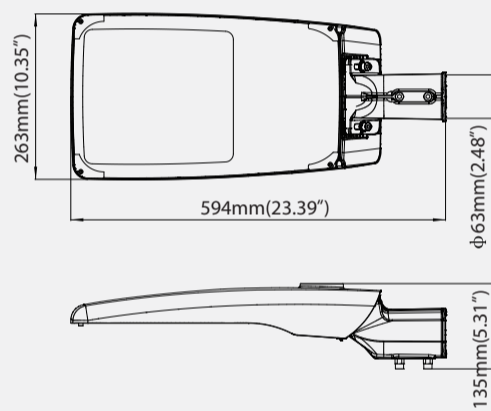
Dimensions



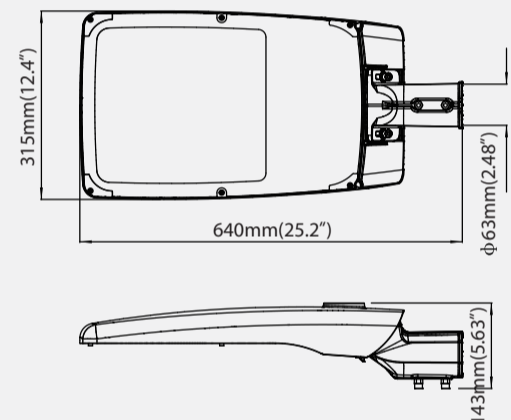
	LEVANTE I	LEVANTE II	LEVANTE III
L	481mm	594mm	640mm
W	260mm	263mm	315mm
H	137mm	135mm	143mm
Weight	3.85KG	5.55KG	7.1KG



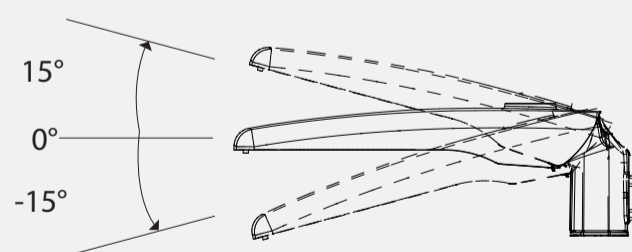
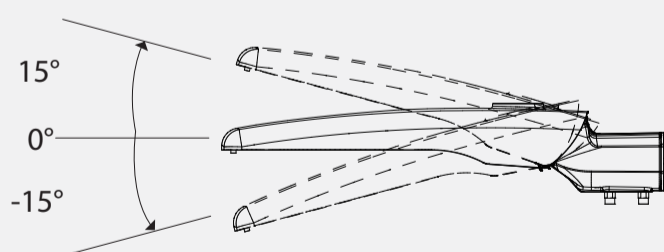
LEVANTE I
180098



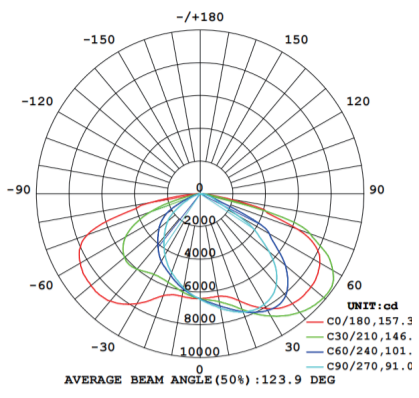
LEVANTE II
180099



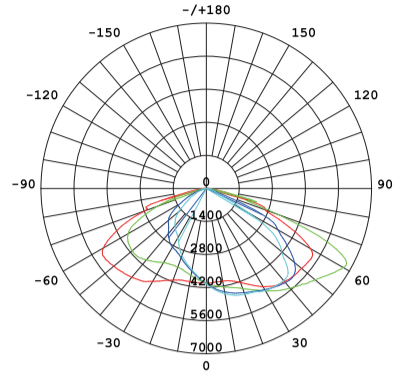
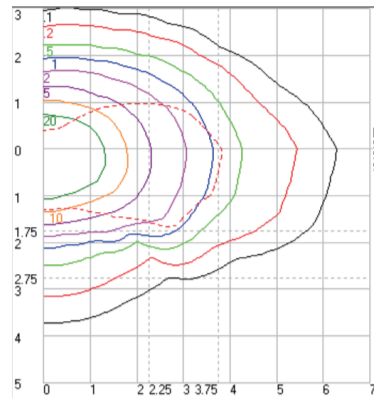
LEVANTE III
180100



Photometrics



T2S



T3M

